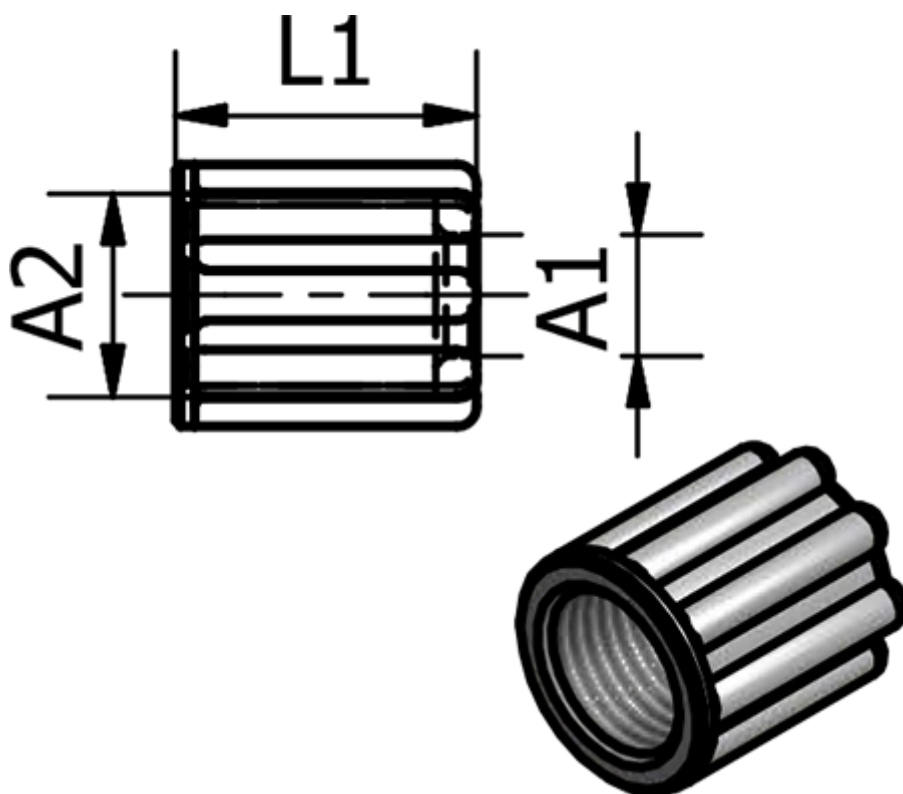


Article number: 58616003

Description: Push-on 160.01, Ø10/8 - M16x1,5  
Nut

## Measures

---



Ext. Hose Diameter A1 = 10/8

L1 = 18

Thread A2 = M16x1,5